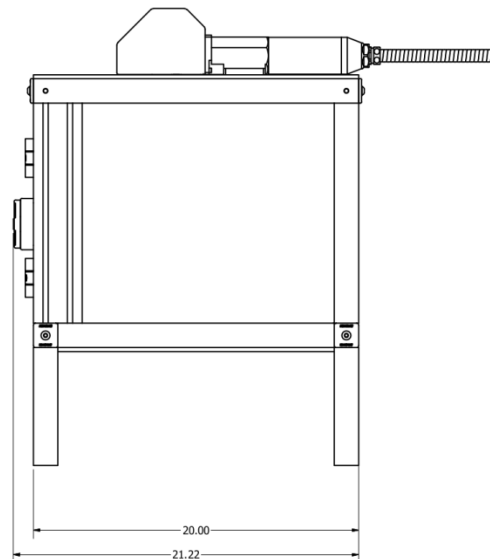
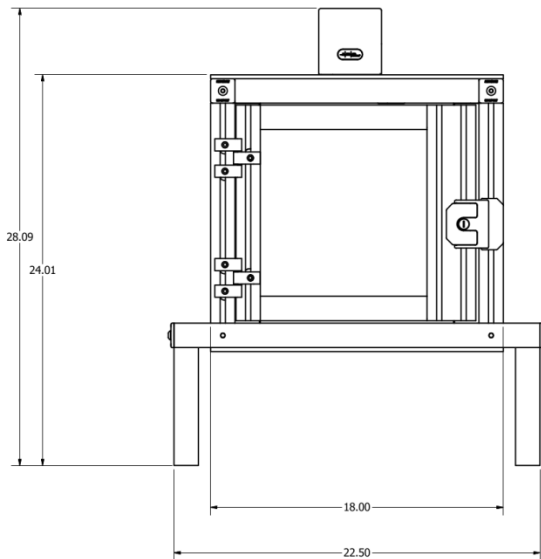
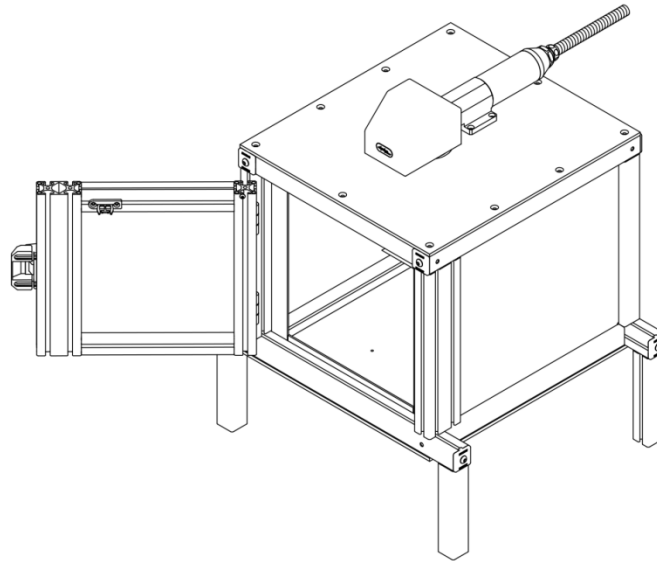


**Headquarters**  
 66 Granby St  
 Bloomfield, Ct 06002  
[www.dapramarking.com](http://www.dapramarking.com)

**Midwest Technical Center**  
 4861 American Road  
 Rockford, IL 61109  
 800-442-6275



## Model 200i - Class 1 Laser



### Marking Capacity

Lens	Height to Lens	Lens Working Focal Distance	Max Part Height	Max. Part Height w/ Scissor Jack	Marking Area
163	15.1"	7.4"	7.7"	4.4"	4.33" x 4.33"
254	15.1"	11.3"	3.8"		6.69" x 6.69"